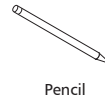
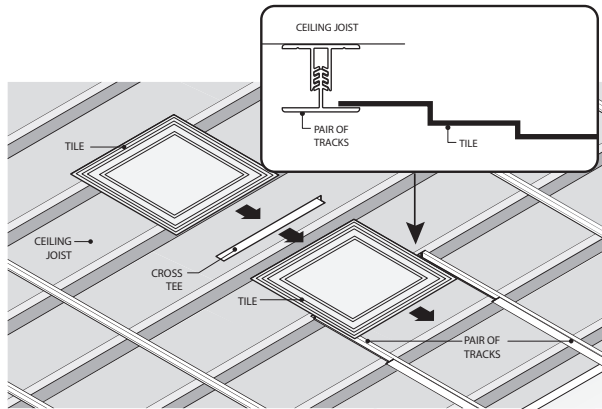


Tools



1. Tiles can be installed in CeilingConnex Grid System or Standard 1" Face T-Bar Grid per manufacturer's instructions.

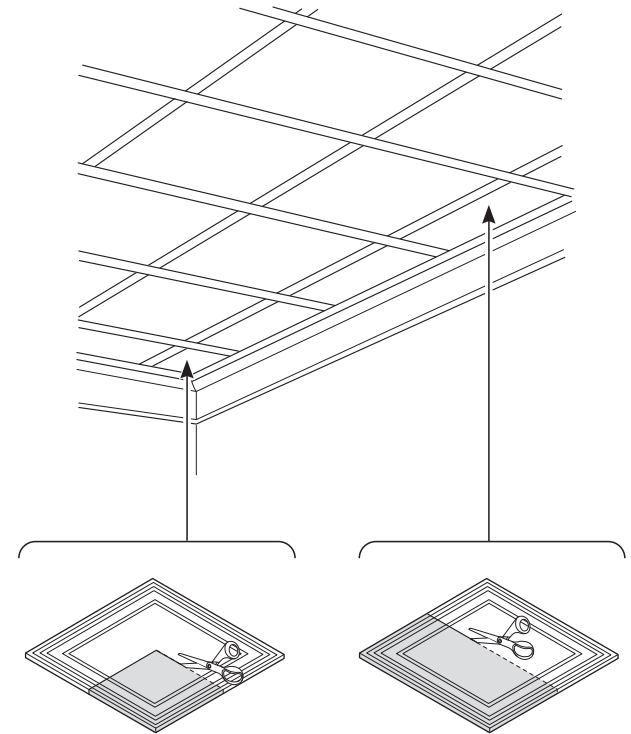
CeilingConnex Grid System



Standard 1" Face T-Bar Grid



2. Edge trim for tiles that are not full size. Trim tile to fit.



Cleaning

Use soft damp rag. Do not use organic solvents or aggressive cleaners.

Every room is different. Please use this instruction manual as a guide but changes and modifications may be required depending on your room configuration.

If you have any questions or concerns, please call
 Phone: 605-484-0875
 or visit our website at:
www.ceilingconnex.com
 or e-mail us at at:
 Email: info@ceilingconnex.com

www.ceilingconnex.com

Phone: 605-484-0875

Email: info@ceilingconnex.com

311 Lilly Ln

Yankton, SD 57078

Follow Us:

facebook.com/ceilingconnex

pinterest.com/ceilingconnex

Made in the USA